

# CheckPoint Pharma and CheckPoint<sup>e</sup> On-Line/Portable TOC Sensors



Measure low-level total organic carbon (TOC) *anywhere, anytime* with the new **CheckPoint\* Pharma** and **CheckPoint<sup>e</sup>** On-Line/Portable Total Organic Carbon (TOC) Sensors from GE Analytical Instruments. Affordable, versatile, and ultra-portable, the CheckPoint Sensors can be used online for continuous monitoring or hand-carried to any point in a water system for rapid diagnostic sampling and troubleshooting.

The two CheckPoint models have the same specifications except as follows:

- The CheckPoint Pharma has a dynamic range of 0.21 to 1,000 ppb and can measure TOC in hot or ozonated water. It meets US, European, Chinese, and Indian Pharmacopeia specifications.
- The CheckPoint<sup>e</sup>, which is designed to meet the greater sensitivity requirements of the semiconductor, power, and other markets, has a dynamic range of 0.05 to 1,000 ppb.

## Key Benefits

**Cost Effective** — The CheckPoint Sensors use the simple TOC methodology of measuring initial sample conductivity, UV oxidation of organics, and a final, post-UV conductivity measurement (Direct Conductometric). They provide a reliable low-cost TOC approach useful for pharmaceutical Purified Water (PW) and Water for Injection (WFI) and semiconductor ultrapure water (UPW) monitoring applications.

**Rapid Analysis** — The two Sensors provide the rapid results and fast rinsedown required for time-critical diagnostics and troubleshooting. Featuring a default measurement every 15 seconds, users can adjust output intervals from 15 seconds up to eight hours.

**Versatility and Convenience** — The Sensors can be used for continuous on-line monitoring, rapid on-line monitoring, or grab sampling. They also feature advanced digital communication capabilities, including Ethernet (Modbus TCP/IP), and a USB port for easy data download.

**Easy to Use with Low Maintenance** — The reagentless CheckPoints are easy to operate and need minimal maintenance. Calibration is typically stable for six months.

**Sensor-to-Sensor Matching** — The Sensors can be calibrated to a reference TOC instrument, allowing excellent low-level TOC sensor-to-sensor matching.

**Ultra Portability** — The CheckPoint TOC Sensors have redefined portability and flexibility. The Sensors typically operate four to five hours using the optional battery, or

continuously with AC power. Weighing just 3.6 kg (7.9 lb) with battery, the CheckPoint Sensors give you the freedom to sample anywhere.

## Applications

**Pharmaceutical** — The CheckPoint Pharma provides pharmaceutical manufacturers with a cost-effective and flexible process monitor for process trending, screening potential trouble areas, and diagnosing problems in real time. The CheckPoint Pharma can be placed at a dedicated point of use or conveniently moved throughout the pharmaceutical manufacturing facility for multi-point water monitoring, diagnostics, and troubleshooting. The CheckPoint Pharma comes with a simple and convenient Standard Operating Procedure (SOP) to meet installation, operation, and performance qualification requirements.

**Hard Disk, Thin Display, and Semiconductor** — The CheckPoint<sup>e</sup>'s low cost and portability gives microelectronics manufacturers new problem-solving and diagnostic capabilities. In addition to providing continuous on-line TOC monitoring to detect critical ultrapure water changes, the CheckPoint<sup>e</sup> Sensor makes it possible to quickly check TOC samples from pressurized or non-pressurized sources. CheckPoint<sup>e</sup> can also monitor UPW distribution points or fab tools for potential contamination sources.

**Power (UPW, Cation Conductivity Control, Makeup, or Cogeneration Condensate Polish Control)** — The CheckPoint<sup>e</sup> provides sensitive detection of trace organic contamination in power feed and loop UPW. Controlling cation conductivity can be difficult if its

### CheckPoint Highlights

- Enables on-line and off-line testing in one instrument
- Display screen and documentation available in English, Chinese, or Japanese
- Self-contained pump for easy system suitability and calibration testing
- Ethernet Modbus transmission to facilitate data system
- IQ/OQ/PQ validation protocols provided
- User-friendly TOC graph that indicates trends
- Stores 28,800 records with TOC display data accessible using USB memory stick
- Five-hour battery available for maximum portability as well as 100–240 volt operation for installed use



source is non-ionic organics. High pressures and temperatures in power plant water cycles can oxidize Cl, S, or N containing non-ionic organics to extremely corrosive hydrochloric, sulfuric, or nitric acids. The CheckPoint<sup>e</sup> has an enhanced response to these compounds and

can rapidly indicate their presence in makeup or condensate water. Rapid detection of other UPW system problems is easy with CheckPoint<sup>e</sup>'s ultra portability and diagnostic features.

## System Specifications<sup>1</sup>

### Total Organic Carbon

Linear Range (CheckPoint Pharma)	0.21–1,000 ppb C
Linear Range (CheckPoint <sup>e</sup> )	0.05–1,000 ppb C
Accuracy	± 5% at 500 ppb C of sucrose <sup>2,3</sup>
Precision (CheckPoint Pharma)	The greater of <1% RSD or 0.21 ppb for on-line measurements; ≤3.0% RSD at 500 ppb for grab samples
Precision (CheckPoint <sup>e</sup> )	The greater of <1% RSD or 0.05 ppb for on-line measurements; ≤3.0% RSD at 500 ppb for grab samples
Analysis Modes	On-line (average or timed); grab (with optional Vial Sampling Kit)
Analysis Time	Selectable: 15 seconds to 8 hours on-line mode; 10 minutes grab mode
Ozone Compatibility (CheckPoint Pharma)	50 ppb O <sub>3</sub> ; 200 ppb O <sub>3</sub> for 2 hours daily

### Conductivity/Resistivity

Conductivity/Resistivity Range for CheckPoint <sup>e</sup>	
Non-Temperature Corrected	0.023 μS/cm (43.5 Mohm-cm) to 150 μS/cm (0.00667 Mohm-cm)
Temperature Corrected to 25 °C	0.055 μS/cm (18.24 Mohm-cm) to 113 μS/cm (0.00885 Mohm-cm)
Conductivity/Resistivity Precision	± 0.5% RSD (20–40 °C or 68–104 °F)
Conductivity/Resistivity Accuracy	± 2.0% <sup>3</sup>
Conductivity/Resistivity Calibration Stability	Typically 6 months
Conductivity/Resistivity Range for TOC <sup>4</sup>	Max 1.4 μS/cm or Min 0.7 MΩ-cm from CO <sub>2</sub> <sup>4</sup>

### Sensor Specifications

On-Line Sample Pressure	103–690 kPa (15–100 psig) (1.0–6.9 bar)
Low Pressure Samples	-6.9–55 kPa (-1.0 to 8 psig) (-0.069-0.55 bar) with optional Low Pressure Sampling Kit
Required Sample Line Flow Rate	60 mL/min (high pressure) or 1 mL/min (low pressure)
Power Requirements	100–240 ±10% VAC, 60 W, 50/60 Hz, or battery
Temperature (CheckPoint Pharma)	Sample: 10–90 °C (50–194 °F); Ambient: 10–55 °C (50–131 °F) <sup>3</sup>
Temperature (CheckPoint <sup>e</sup> )	Sample: 10–60 °C (50–140 °F); Ambient: 10–40 °C (50–104 °F)
Humidity	90% (80% with battery) — both non-condensing
Altitude	3000 meters
Outputs	Ethernet (Modbus TCP/IP), USB, plus three 4–20 mA, two alarms, and binary input with optional I/O board
Installation/Overtolerance Category	II
Dimensions	H: 25.40 cm (10.0 in); W: 30.48 cm (12.0 in); D: 15.24 cm (6.0 in)
Dimensions with Vial Sampling Kit	H: 25.40 cm (10.0 in); W: 34.87 cm (13.7 in); D: 15.24 cm (6.0 in)
Weight — CheckPoint	2.9 kg (6.4 lb) without battery; 3.58 kg (7.9 lb) with battery
Weight — Vial Sampling Kit	0.6 kg (1.3 lb)
Industrial Ratings & Safety Certifications	CE, ETL listed. Conforms to UL Std. 61010-1. Certified to CSA C22.2 No. 61010-1.

<sup>1</sup> Stated analytical performance is achievable under controlled laboratory conditions that minimize operator and standards errors.

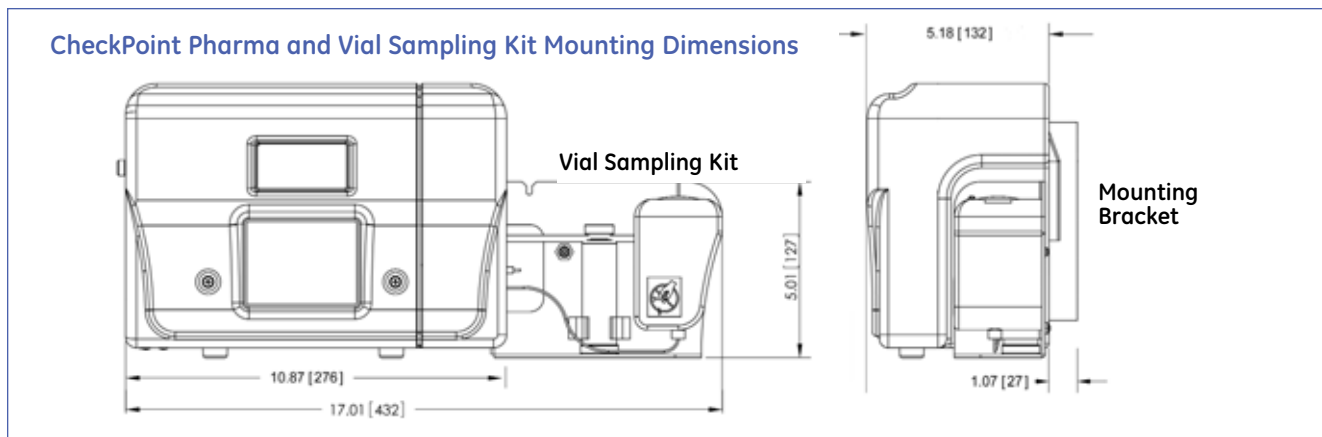
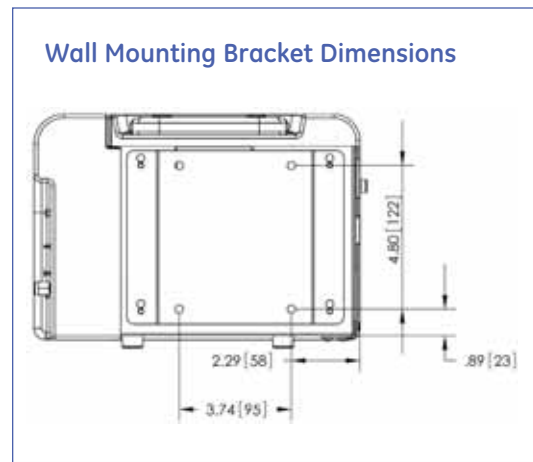
<sup>2</sup> Total measurement accuracy includes separate contributions from both the standards accuracy and the Instrument Accuracy.

<sup>3</sup> Conductivity and accuracy specifications are met as shown above for ambient temperatures from 10–40 °C (50–104 °F). When calibrated at 40 °C, the following specifications are met at 40–55 °C (104–131 °F): conductivity accuracy is ± 2.4%, and TOC accuracy is ± 6.7% on 500 ppb C of sucrose.

<sup>4</sup> Sample water quality with a conductivity >1.4 μS/cm may result in reduced TOC accuracy.

\* Trademark of General Electric Company; may be registered in one or more countries.

## CheckPoint Installation Diagrams



### Options and Accessories

**Battery Pack Kit** — The battery and charger system typically enable four to five hours of operation. Extra batteries are also available.

**I/O Board** — The optional I/O board has three programmable analog outputs (select from TOC, raw conductivity, temperature-compensated conductivity or resistivity, error, warning, or standby options), one binary input (remote start/stop), and two alarms with 24 V supply.

**Vial Sampling Kit** — The CheckPoint Vial Sampling Kit, which attaches easily to the Sensor, allows users to measure standards and grab samples.

**Low-Pressure Sampling Kit** — This includes Teflon and stainless steel sampling tubes and a waste bag for collecting zero-pressure samples in the laboratory or fab.

**Sample Inlet Filter** — The 60-µm sample inlet filter is recommended for on-line monitoring.

### Ordering Information

#### Pharmaceutical Industry

Checkpoint TOC Sensor — basic model  
Checkpoint with I/O board

**Part Number**  
CPRD 97150  
CPRD 97160

#### Electronics/Semiconductor Industry

Checkpoint<sup>e</sup> TOC Sensor — basic model  
Checkpoint<sup>e</sup> with I/O board

CPRD 97000  
CPRD 97100

#### Options

Vial Sampling Kit  
Checkpoint In-line Filter Kit (60 µm)  
Printer  
40-mL Certified Sample Vials (Case of 72)

CAPK 97900  
CAPK 97300  
CHMI 97050  
CHMI 90606

#### Consumables

One-year kit (2 UV lamps and 2 pump heads)  
One UV lamp (6-month continuous use)  
One pump head (6-month continuous use)

CAPK 97010  
CARK 35001  
CAPK 97000



**The Americas**  
GE Analytical Instruments  
6060 Spine Road  
Boulder, CO 80301-3687 USA  
T +1 800 255 6964  
T +1 303 444 2009  
F +1 303 527 1797  
geai@ge.com

**Europe/Middle East/Africa**  
GE Analytical Instruments  
Unit 3, Mercury Way  
Urmston, Manchester  
UK M41 7LY  
T +44 (0) 161 864 6800  
F +44 (0) 161 864 6829  
geai.europe@ge.com

**Asia**  
geai.asia@ge.com  
geai.india@ge.com  
geai.china@ge.com

For specific country contacts, visit  
[www.geinstruments.com/sales](http://www.geinstruments.com/sales)

